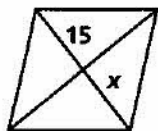
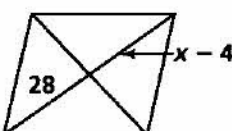
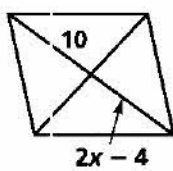
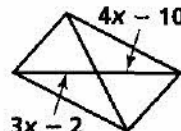
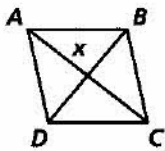
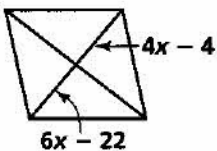
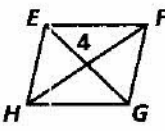
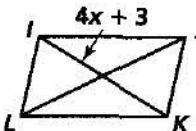


# Practice 6-2

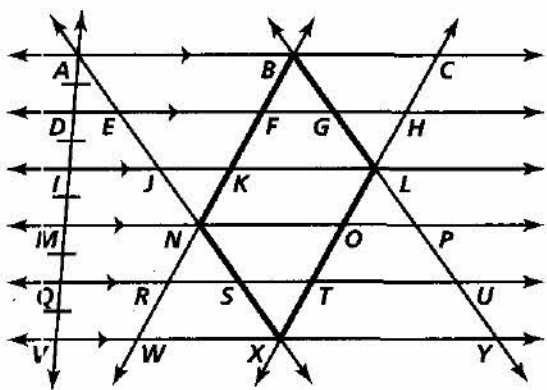
## Properties of Parallelograms

Find the value of  $x$  in each parallelogram.

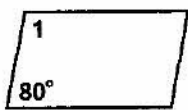
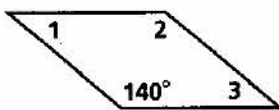
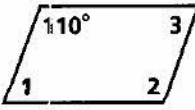
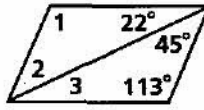
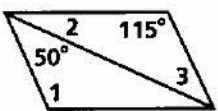
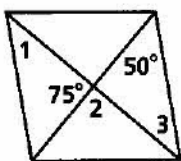
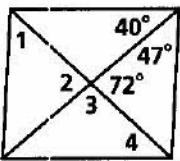
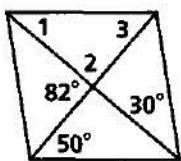
- 
- 
- 
- 
- $AC = 24$   

- 
- $x = EG$   

- $IK = 35$   


If  $AE = 17$  and  $BF = 18$ , find the measures of the sides of parallelogram  $BNXL$ .

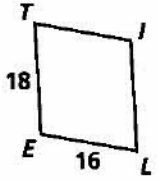
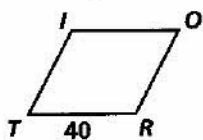
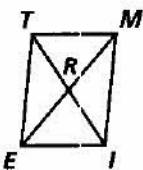
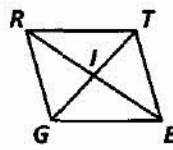
- $BN$
- $NX$
- $XL$
- $BL$



Find the measures of the numbered angles for each parallelogram.

- 
- 
- 
- 
- 
- 
- 
- 

Find the length of  $\overline{TI}$  in each parallelogram.

- 
- $OR = \frac{7}{8}IO$   

- $TR = 14, ME = 31$   

- $IE = 6, GT = 8$   


All rights reserved. © Pearson Education, Inc., publishing as Pearson Prentice Hall.